

VP3350 QUICK START GUIDE

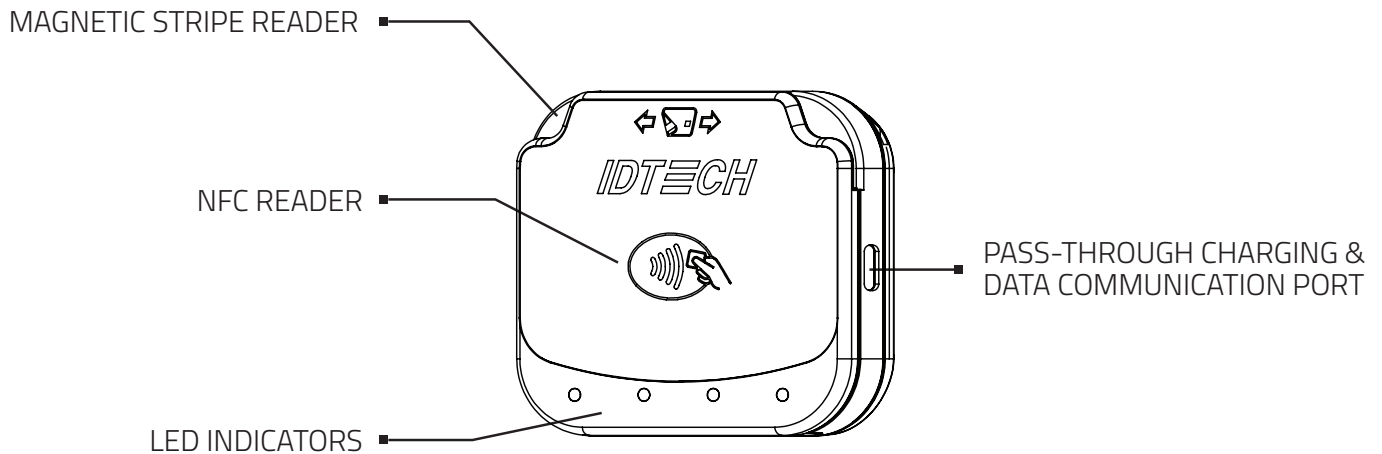
Overview

The VP3350 is ID TECH's latest PCI 6.X SRED certified mobile reader. The VP3350 supports Magstripe, EMV contact, and contactless using either USB-C, Lightning, and/or Bluetooth connections.

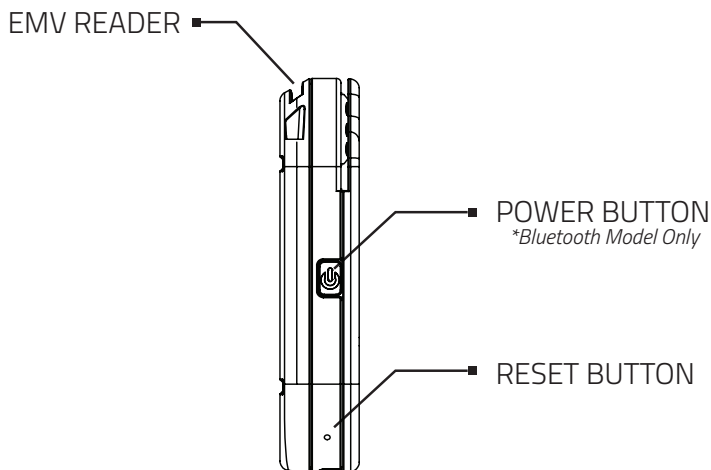
Contact your acquirer, gateway, or POS partner for instructions on setting up and pairing the VP3350 to a compatible payment application and host device.

Note that the full VP3350 Integration Manual is available free of charge on the ID TECH Knowledge Base:
<https://atlassian.idtechproducts.com/confluence/display/KB/Knowledge+Base+++Home>

FRONT VIEW

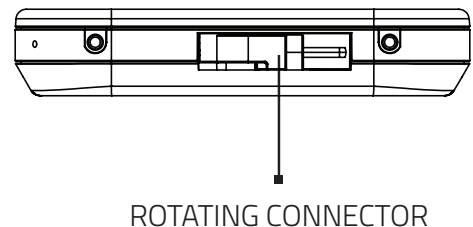


LEFT SIDE



BOTTOM

**Lightning & USB-C Models Only*



Before You Begin Using the VP3350

The VP3350 should be charged four to six hours before the first use. After charging the device, follow the pairing instructions below to use the device in BLE.

Note: If the device is plugged into a host system via the USB cable, the unit will communicate via USB, even if it is still connected to Bluetooth.

Bluetooth Pairing Instructions

In addition to the following instructions, see the section on iOS Connectivity for more information on using an iPad or iPhone with the VP3350.

1. Enable the Bluetooth device search function on the host device (smart phone or tablet).
2. Make sure the VP3350 is charged or connected to a power source via USB.
 - a. When connected to a power source, the VP3350 automatically activates Bluetooth.
3. When not connected to a power source, press the VP3350's power button to automatically activate Bluetooth.
4. Find a Bluetooth device named **IDTECH-VP3350-XXXXX** on the host smart phone or tablet and select **Pair**.
5. Enter the password for pairing. The default password is **123456**.
6. Follow the payment transaction instructions provided by a compatible payment application maker to complete a transaction.

The VP3350 will remain connected via Bluetooth to the host device indefinitely when powered via the USB cable. If the unit is operating on battery power, it will go to sleep after 30 seconds of idling to extend battery life. To perform a transaction again, press the power button to re-establish the Bluetooth connection.

When connecting to an iOS device, please install a compatible payment application and follow the instructions provided by that application's maker.

iOS Connectivity: BLE and VP3350

The VP3350 uses Bluetooth BLE (Bluetooth Low Energy). BLE does not require users to first pair their devices through the Bluetooth Settings in Apple iOS. If a payment application provider has enabled BLE scanning in their application, Apple iOS scans and locates all BLE devices in range to automatically connect with the VP3350.

Note: If the VP3350 is paired via the iOS Settings page, it will display as a connected device but not function with a payment app.

Unlike other operating systems that detect BLE devices by MAC address, Apple does NOT allow users to specify BLE devices this way for security reasons. Instead, after a device is selected by its "friendly" name, the Apple iOS calculates a unique identifier to allow that device to connect directly.

The VP3350 has a default friendly name of **IDTECH-VP3350-XXXXX**.

VP3350 LED and Sound State Indicators

Device State	LED 1	LED 2	LED 3	LED 4	Sound
*Battery Charging Full	● on	● on	● on	● on	None
Bluetooth Connected	● on	● on	● on	● on	Unit Beeps Once
Bluetooth Connection Failed	● on	● on	● on	● on	Unit Beeps Twice
Unit Ready	● blink	○ off	○ off	○ off	Unit Beeps Once
Transaction Started	● on	○ off	○ off	○ off	None
Transaction Successful	● blink	● blink	● blink	● blink	Unit Emits One Long Beep
Transaction Failed	○ off	○ off	○ off	○ off	Unit Beeps Twice
Unit Tampered	● blink	● blink	● blink	● blink	Unit Beeps
Device Deactivated	● blink	● blink	● blink	● blink	Unit Beeps
Power Off / Low-Power Consumption Mode	○ off	○ off	○ off	○ off	None

*The device displays three LEDs to indicate 75% battery power and two LEDs for 50% battery power, and a red LED below 25% battery power.

VP3350 Mounting Guidelines

To optimize performance, install VP3350 readers away from or in front of any metal surfaces or materials that have metallic content, which can interfere with the RF field. VP3350 readers perform optimally when mounted away from metal surfaces.

VP3350 Security

ID TECH recommends checking the VP3350 units for evidence of tampering on a regular basis.

Decommissioning SRED Devices

All PCI devices require proper decommissioning prior to device disposal in order to ensure the protection of all sensitive financial card data. For instructions on decommissioning your device, see Decommissioning of SRED Devices on the ID TECH Knowledge Base.

Troubleshooting

See the VP3350 Integration Manual (available on the ID TECH Knowledge Base) for a full list of troubleshooting suggestions or contact support@idtechproducts.com.

Symptom	Probable Cause	Solution
No communication and all LEDs off	<ul style="list-style-type: none"> ▪ Power off ▪ Battery out of charge ▪ Host device not connected 	<ul style="list-style-type: none"> ▪ Charge the battery ▪ Press the device Reset button ▪ Make sure to enter the correct pairing password
Device is connected to iOS device but not communicating with payment app	<ul style="list-style-type: none"> ▪ Incorrect Bluetooth pairing method for iOS 	<ul style="list-style-type: none"> ▪ See "iOS Connectivity: BLE and VP3350" above for iOS-specific pairing instructions
Bluetooth pairing failed (Android)	<ul style="list-style-type: none"> ▪ Host device running Android 6.x or earlier 	<ul style="list-style-type: none"> ▪ Make sure the host device is running Android 6.X or later

Copyright © 2023 ID TECH. All rights reserved.

This document, as well as the software and hardware described in it, is furnished under license and may be used or copied online in accordance with the terms of such license. The content of this document is furnished for information use only, is subject to change without notice, and should not be construed as a commitment by ID TECH. While every effort has been made to ensure the accuracy of the information provided, ID TECH assumes no responsibility or liability for any unintentional errors or inaccuracies that may appear in this document. Except as permitted by such license, no part of this publication may be reproduced or transmitted by electronic, mechanical, recording, or otherwise, or translated into any language form without the express written consent of ID TECH.

ID TECH and ViVOPay are trademarks or registered trademarks of ID TECH.

Warranty Disclaimer

The services and hardware are provided "as is" and "as-available" and the use of the services and hardware are at its own risk. ID TECH does not make, and hereby disclaims, any and all other express or implied warranties, including, but not limited to, warranties of merchantability, fitness for a particular purpose, title, and any warranties arising from a course of dealing, usage, or trade practice. ID TECH does not warrant that the services or hardware will be uninterrupted, error-free, or completely secure.