



# Spectrum Pro Installation Guide

80140507-001



ID TECH  
10721 Walker Street  
Cypress, CA 90630  
(714) 761-6368

[www.idtechproducts.com](http://www.idtechproducts.com)

ID TECH's Spectrum Pro insert card reader is a PCI PTS 4.X and EMV Level 1 and Level 2 certified device that supports conventional MagStripe operation in addition to "contact EMV" operation. Tri-color LEDs indicate reader status and good/bad card reads. Communication with the unit can occur via RS232 or USB-HID.

What's in the box?

- Spectrum Pro insert reader
  - SPTP-883-33-LN2C-0C or SPTP-883-33-NN2C-0C
- RS232 or USB interface cable
- Power Supply
  - Mandatory when using RS232
  - Secondary power supply is necessary for using motorized latch (if unit supports motorized latch)
- Quick start manual

## FINDING ADDITIONAL INFORMATION ON THE SPECTRUM PRO

Any information not found in the Installation guide can be found on the ID TECH Knowledge Base page and/or User Manual.

<https://atlassian.idtechproducts.com/confluence/display/KB/Spectrum+Pro+%28SPTP-XXX-XX-aaXa-YY%28Y%29-+ZZ%29-+Home>

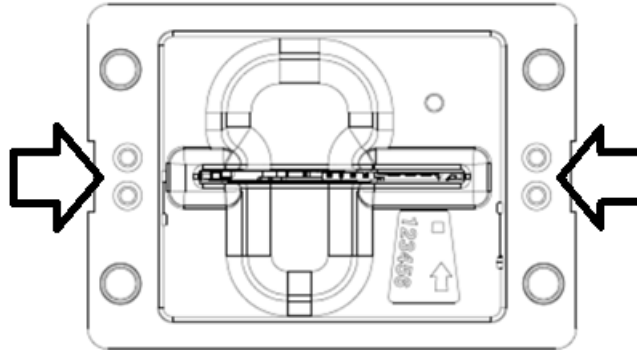
## ENVIRONMENT

Operating Temp: -13° F to 158° F ( -25° C to 70° C) non-condensing

Storage Temp: -40° F to 176° F ( -40° C to 80° C) non-condensing

### **MOUNTING THE SPECTRUM PRO**

The reader can be mounted in either a horizontal or vertical orientation. The removal detection points must be pressed down when the unit is mounted. For cutout dimensions required, please see the user manual (P/N 80140502-001).



### **SECURITY MECHANISMS**

Being a PCI PTS 4.X device, it contains internal tamper mechanisms, so the unit should not be dropped or the housing attempted to be removed. If the device tampers, it will need to be sent back to ID TECH for a factory reset.

As a certified unattended device, it also has removal sensors on the unit to prevent unauthorized removal. If the removal sensor is activated and removal sensor is not engaged, the Spectrum Pro will see the event as a tamper event and erase all the sensitive information like all established / temporal keys, PAN and PIN, and set state to unauthenticated state.

If the removal sensor is deactivated and removal sensor is not engaged, the Reader won't erase any sensitive information but it will disable any PIN related operation. The removal detection sensor must be activated in order to work with the associated PIN pad. By default, card reader is at the status of deactivate removal sensor.

### **PAIRING WITH THE SMARTPIN L100**

The Spectrum Pro can be synced with the SmartPIN L100 PIN pad to perform both MSR-debit and Chip-PIN transactions. When using the SmartPIN L100, the L100 will require its own power supply. For detailed pairing instructions, please see the Spectrum Pro-L100 Pairing guide (<https://atlassian.idtechproducts.com/confluence/pages/viewpage.action?pageId=31362116>).

1. Secure the PIN pad and Spectrum Pro removal detection buttons by mounting into your kiosk.
2. Set the removal detection passwords
3. Activate the removal detection
4. Pair the units
5. Verify the pairing

Deactivation of removal detection can also be found in the Spectrum Pro-L100 pairing guide.

### **TROUBLESHOOTING**

There are two LEDs. One is the user-interface LED on the front bezel of the reader; the other (diagnostic) LED is on the back. Review user manual for LED management and troubleshooting. For additional FAQ and troubleshooting, see ID TECH's Spectrum Pro Knowledge Base page.

<https://atlassian.idtechproducts.com/confluence/display/KB/Spectrum+Pro+%28SPTP-XXX-XX-aaXa-YY%28Y%29-+ZZ%29-+Home>

## SAFETY

### FCC Regulatory Compliance

#### Notices: Class B Equipment

This equipment has been tested and found to comply with the limits for a Class B digital device pursuant to Part 15 of the FCC Rules. These limits are designed to provide reasonable protection against harmful interference in a residential installation. This equipment generates, uses, and can radiate radio frequency energy and, if not installed and used in accordance with the instructions, may cause harmful interference to radio communications. However, there is no guarantee that interference will not occur in a particular installation. This device complies with part 15 of the FCC rules. Operation is subject to two conditions: (1) This device may not cause harmful interference, and (2) this device must accept any interference received, including interference that may cause undesired operation.

If this equipment does cause harmful interference to radio or television reception, which can be determined by turning the equipment off and on, the user is encouraged to try to correct the interference by one or more of the following measures:



- Reorient or relocate the receiving antenna.
- Increase the separation between the equipment and the receiver.
- Connect the equipment into an outlet on a circuit different from that to which the receiver is connected.
- Consult the dealer or an experienced radio/TV technician for help.

Changes or modifications to the Augusta (or Augusta S) not expressly approved by ID TECH could void the user's authority to operate the Augusta (or Augusta S).

#### **This device complies with Part 15 of the FCC Rules:**

1. This device may not cause harmful interference, and
2. This device must accept any interference received, including interference that may cause undesired operation of the device.

#### **Cautions and Warnings**

	<b>Caution:</b> Danger of Explosion if battery is incorrectly charged. Use only approved power source. Device contains a small lithium battery. Approved temperature range for storage: -40°C to +80°C. Disposal: Contact your local recycling center.
	<b>Warning:</b> Avoid close proximity to radio transmitters which may reduce the capability of the reader.