



80128510-001

Decommissioning of SRED Devices

CE FC

80128510-001

Rev. A

8 February 2016

Decommissioning SRED Devices

Revision History

Revision	Date	Description of Changes	By
50	1/6/2016	Preliminary Version	KT
A	2/8/2016	Remove 2.4 "Other Products"	KT

Copyright 2016 by ID TECH. All rights reserved.

ID TECH
10721 Walker Street
Cypress, CA 90630
(714) 761-6368

ID TECH and Value through Innovation are trademarks of International Technologies & Systems Corporation. USB (Universal Serial Bus) specification is copyright by Compaq Computer Corporation, Intel Corporation, Microsoft Corporation, and NEC Corporation. Windows is registered trademarks of Microsoft Corporation.

1. Introduction

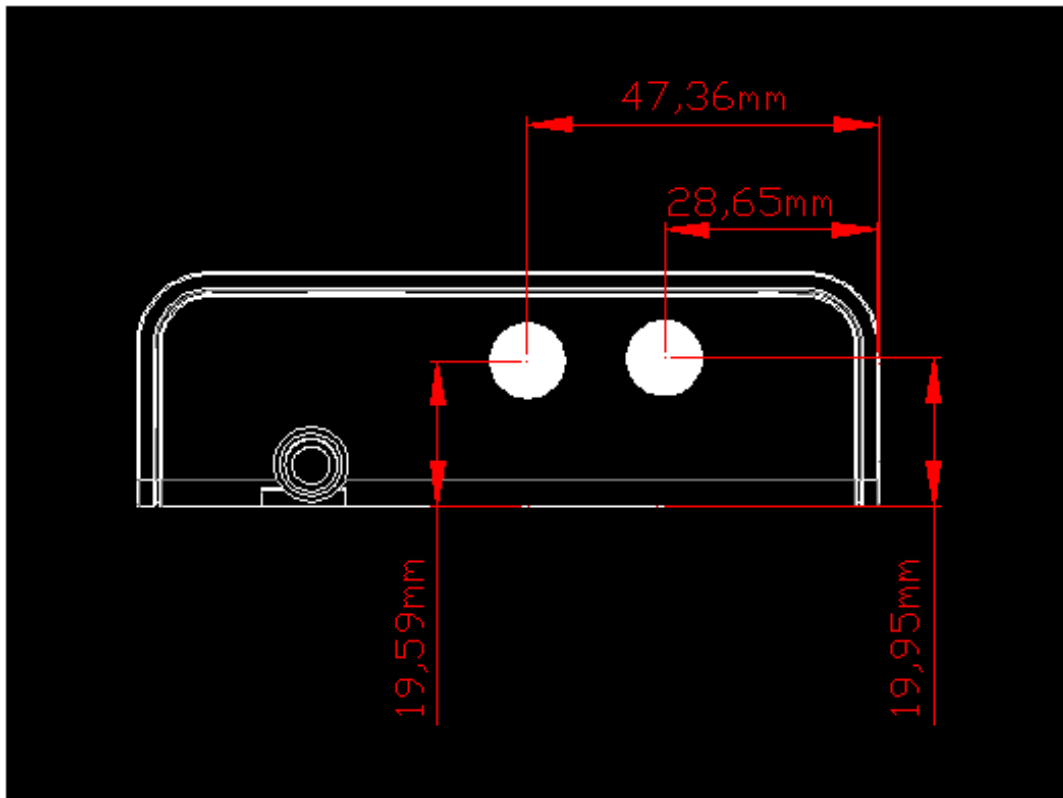
ID TECH's SRED-based products are designed to be secure over their entire service lifespan, from initial deployment to final retirement. To ensure that security is never compromised, special steps must be undertaken after a SRED-based product is retired from service. Tamper-triggered erasure of keys is not sufficient to ensure proper (secure) disposal of the unit. The unit's processor chips and/or other critical components need to be irreversibly disabled. This document outlines ID TECH's recommended method for accomplishing such disablement.

2. Decommissioning Procedure

Secure products should be decommissioned as follows.

2.1 SecuRED

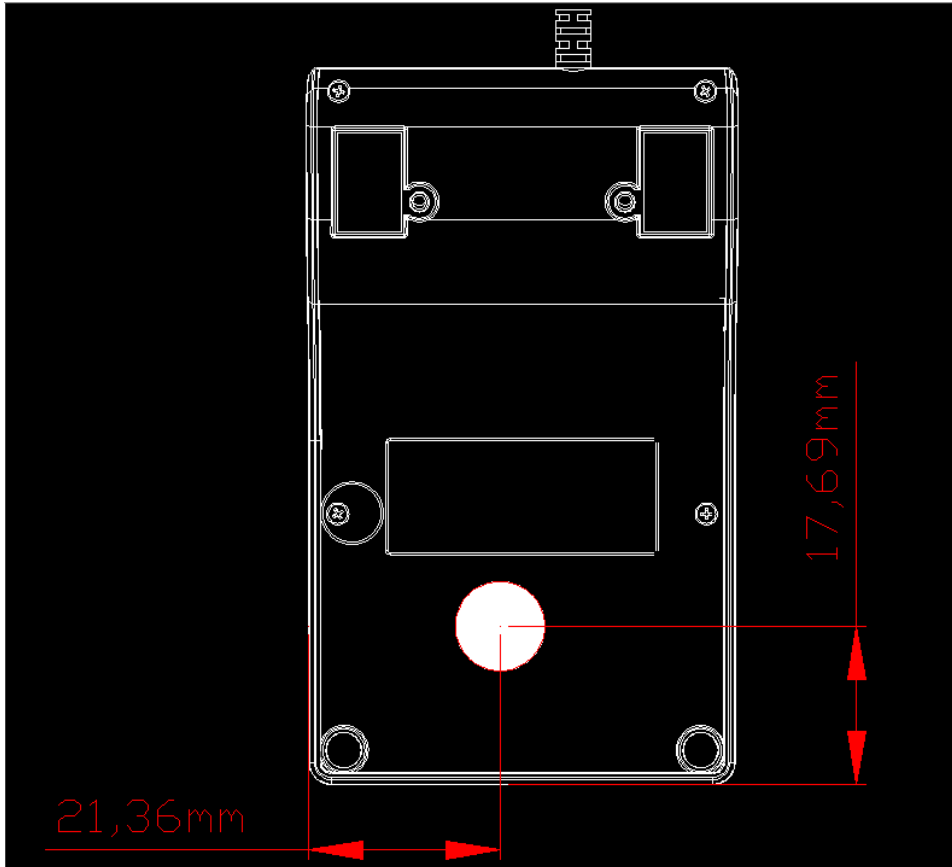
For SecuRED products: Proceed to drill holes in the unit as depicted in the illustration below.



For SecuRED: Mark drilling locations (2 holes) as shown, on the side of the unit with cable exit (or without LED). Drill holes with 10mm diameter drill bit.

2.2 SREDKey

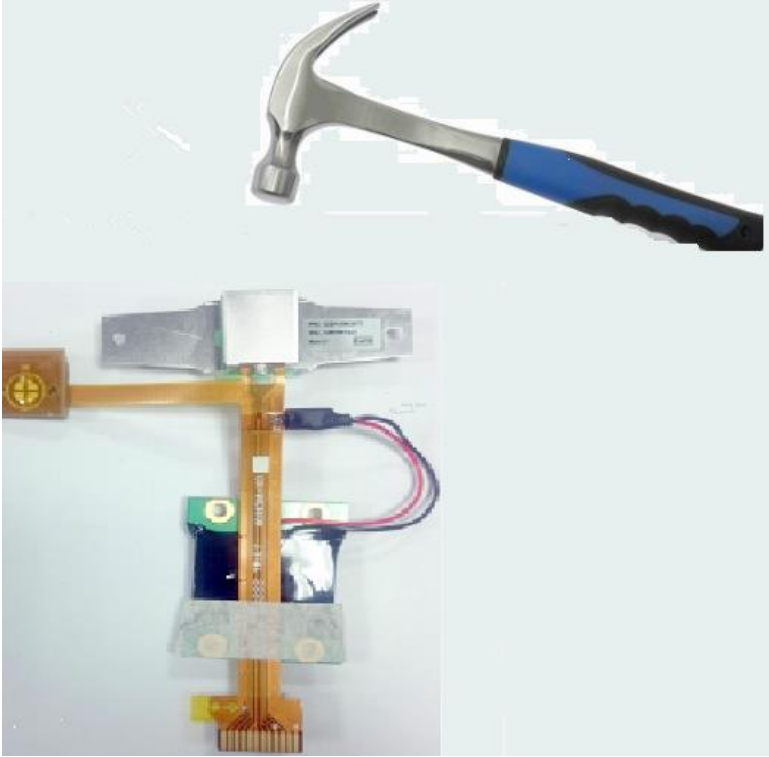
For SREDKey products: Proceed to drill a hole in the unit as depicted in the illustration below.



For SREDKey: Mark drilling locations (1 hole) as shown, on the back of the unit. Drill a hole as shown with 10mm diameter drill bit.

2.3 SREDHead

For decommissioning of SREDHead, smash the head portion with a hammer. See illustration below.



Remove SREDHead from terminal device. Place SREDHead on iron plate or anvil. Proceed to smash head with hammer.